

DOUBLE CHECK VALVE DC



TECHNICAL DATA

Nominal diameter: DN 50 – DN 300
 Face-to-face: DIN 3202-K3/ISO 5752 long
 Flange accommodation: DIN 2632/33 PN 10/16
 ANSI B 16.5, Class 150
 Flange Surface Design: DIN 2526, Form A-E, ANSI RF
 Marking: DIN EN 19
 Tightness check: DIN 3230 T3, BN (Leakage Rate 1)
 ISO 5208, Category 3
 API 598 Table 5
 ANSI B 16-104, Class VI
 Use standard: EN 593 (DIN 3354)
 Temperature range: 0 °C to +130 °C (depending on pressure, medium and temperature)

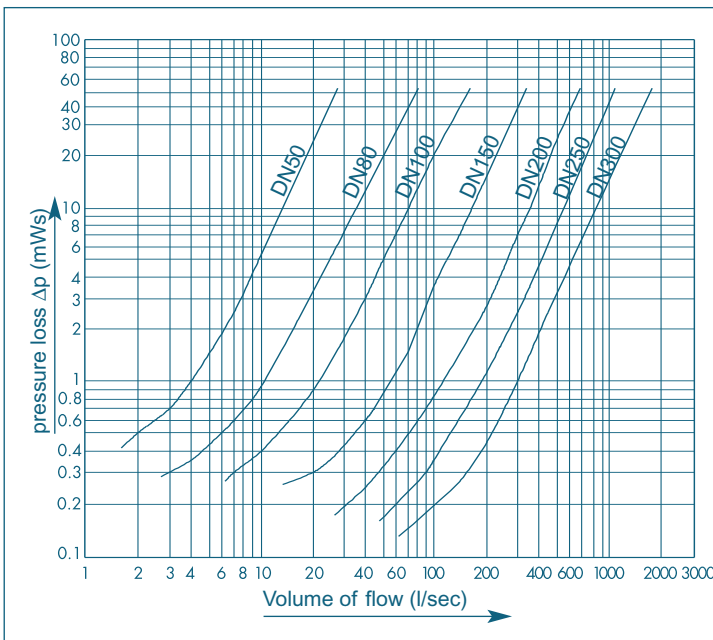
Standard construction:

	DC 1	DC 2
Body:	GG-25	GG-25
Disc:	Bronze	Stainless Steel
Shafts:	Stainless Steel	Stainless Steel
Springs:	Stainless Steel	Stainless Steel
Seal:	NBR	EPDM
Bearing:	PTFE	PTFE
Operating pressure:	16 bar	16 bar

FEATURES

- Maintenance-free wafer pattern double check valve
- Can be disassembled, material-specific recycling possible.

PRESSURE LOSS DIAGRAM



The values given in the diagram are valid for water at 20 °C. They result of measurements at valves which are mounted in an horizontal conduction. For the ascertainment of pressure losses for other media, the water flow amount has to be calculated with the following formular:

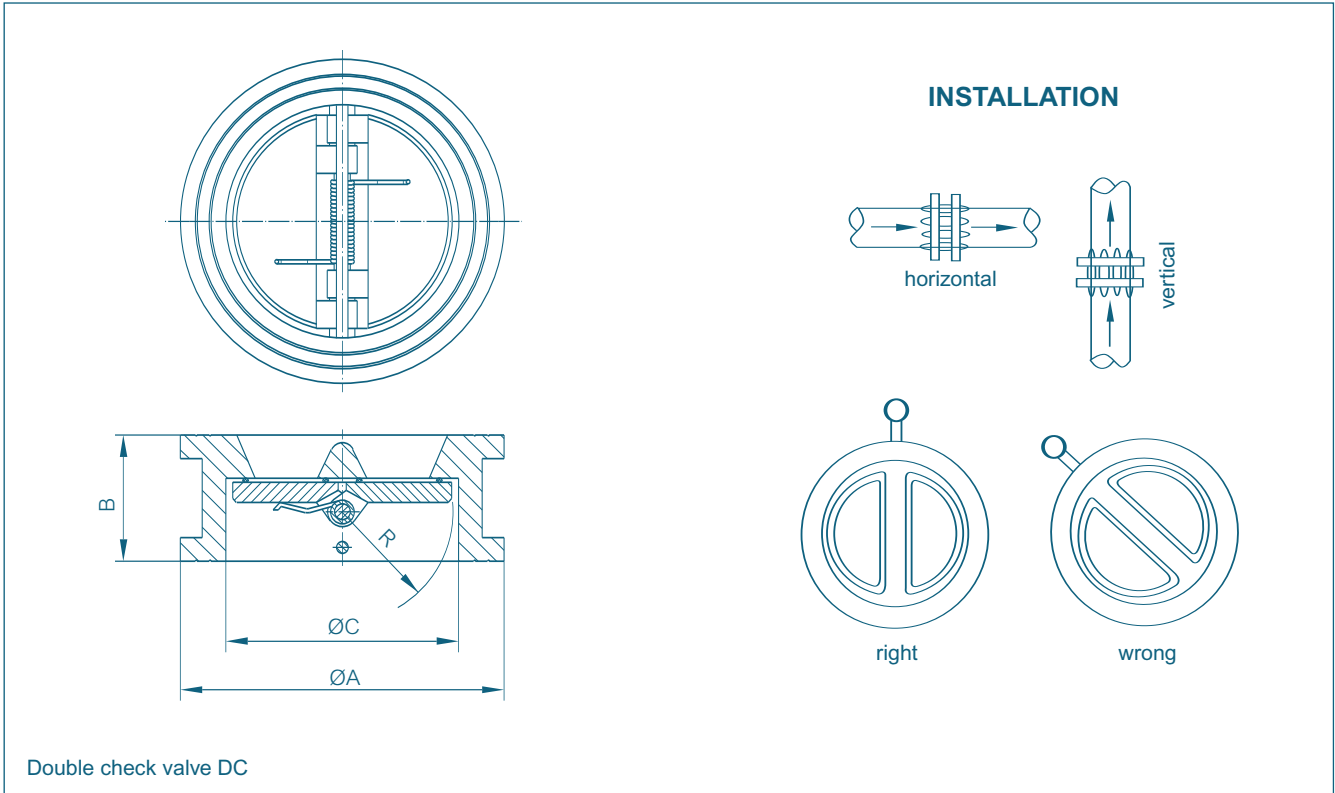
$$W_{ap} = \sqrt{\frac{\gamma_B}{1000}} \times Q_B$$

W_{ap} = equivalent water flow in m³/h

γ_B = flow amount of the media in its operating condition in m³/h

Q_B = Volume of flow in operating condition (m³/h)

DOUBLE CHECK VALVE DC



DN [mm]	Size [in]	Dimensions [mm]				min. Opening pressure [mbar]	K _v [m ³ /h]	Weight [kg]
		A	B	C	R			
50	2	109	43	72	31	42	45	1,7
65	2½	129	46	75	35	42	70	2,4
80	3	144	64	90	42	38	120	3,6
100	4	164	64	118	56	30	240	4,5
125	5	194	70	142	66	25	350	7,0
150	6	220	76	170	79	25	650	9,8
200	8	275	89	222	102	20	1300	25,0
250	10	330	114	274	128	18	2100	30,0
300	12	380	114	328	155	16	3500	36,5

Subject to change without notice.

Installing the check valve on top of a pump please ensure that neither the valve is mounted directly on the pump flange or the following bend or a smoothing section of less than 5 x DN is observed.
For tight sealing of the DC a back pressure of not less than 1 bar is required.